



CBI DD-Frame High Amp Standard Range



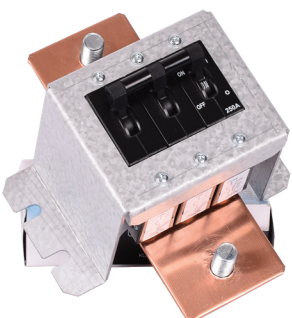
Very compact and reliable DC hydraulic magnetic circuit breaker ideal for battery applications, power supplies and distribution for larger loads in DC branch protection. The CBI DD-frame High Amp Standard range is a modular circuit breaker with rated current 40A-400A with a certified 10kA breaking capacity and a tested breaking capacity up to 25kA.

All CBI DD-frame High Amp Standard Range breakers have gold plated auxiliary switches for easy electric reading of switching status and maximum reliability of your system over time.

The DD-Frame circuit breakers are IEC, UL and CCC-approved.

Paralleled solutions

The DD-frame High Amp standard range are certified for used in paralleled-busbar systems. We have a wide range of standard solutions available and can as well design your specific current distribution busbar and mounting bracket.



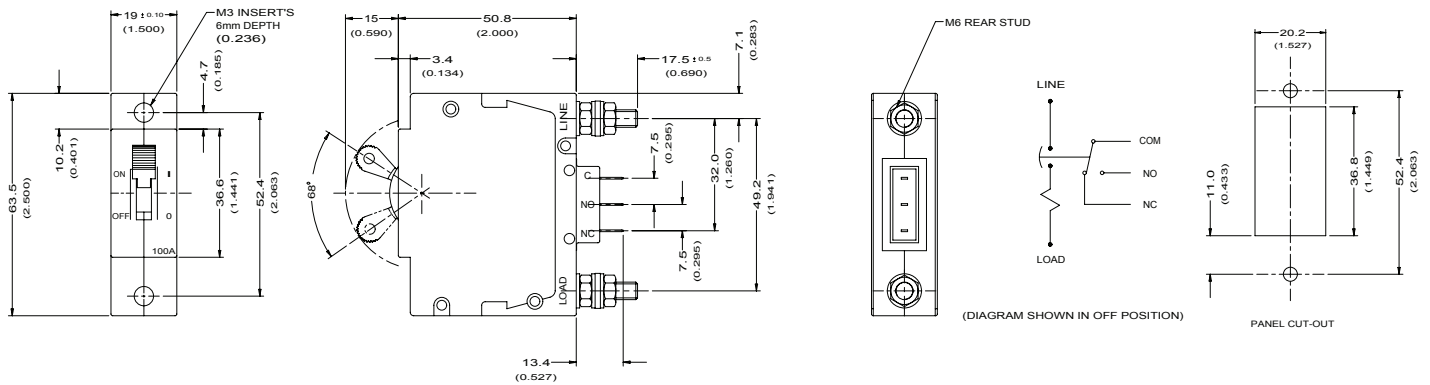
EMCOMP

Battery breaker 1 module width 40-100A

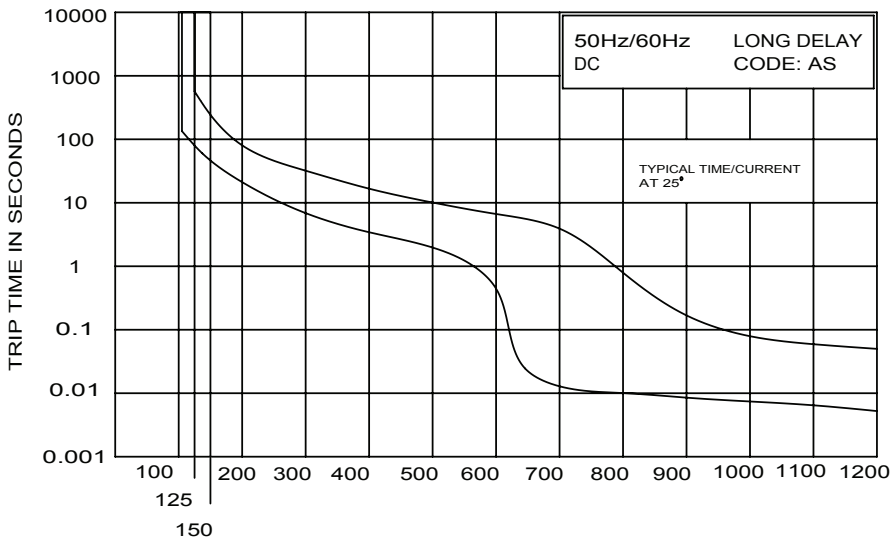


Item No	Voltage Range	Rated Current
DDABM0326	12-80VDC	40A
DDABM0181	12-80VDC	60A
DDABM0307	12-80VDC	80A
DDABM0198	12-80VDC	100A

Dimensions



Long Time delay, AS



Percentage of rated current

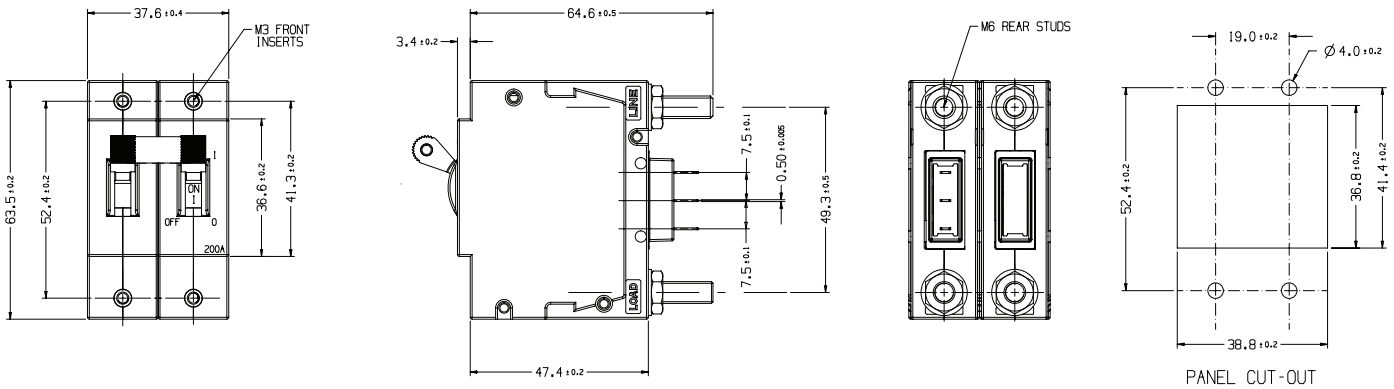
PERCENTAGE OF RATED CURRENT	100 %	125 %	200 %	400 %	600 %	800 %	1000 %	1200 %
MINIMUM TRIP TIME IN SECONDS	NO TRIP	80	21	3.5	0.45	0.01	0.0075	0.005
MAXIMUM TRIP TIME IN SECONDS	NO TRIP	560	80	17	6.8	0.8	0.08	0.05

Battery breaker 2 module width 125-200A

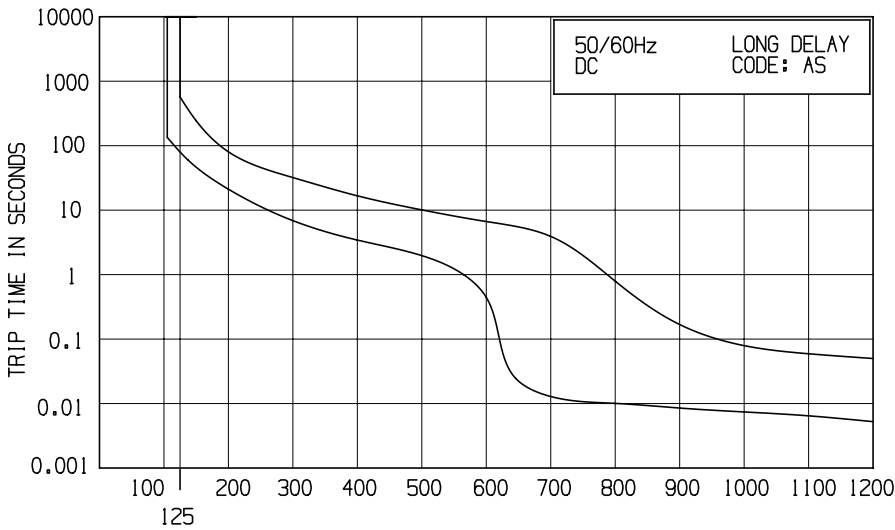
Item No	Voltage Range	Rated Current
D2ABXA0510	12-80VDC	125A
D2ABXA0085	12-80VDC	150A
DDABM0178	12-80VDC	200A



Dimensions



Long Time delay, AS



Percentage of rated current

PERCENTAGE OF RATED CURRENT	100%	125%	200%	400%	600%	800%	1000%	1200%
MINIMUM TRIP TIME IN SECONDS	NO TRIP	80	21	3.5	0.45	0.01	0.0075	0.005
MAXIMUM TRIP TIME IN SECONDS	NO TRIP	560	80	17	6.8	0.8	0.08	0.05



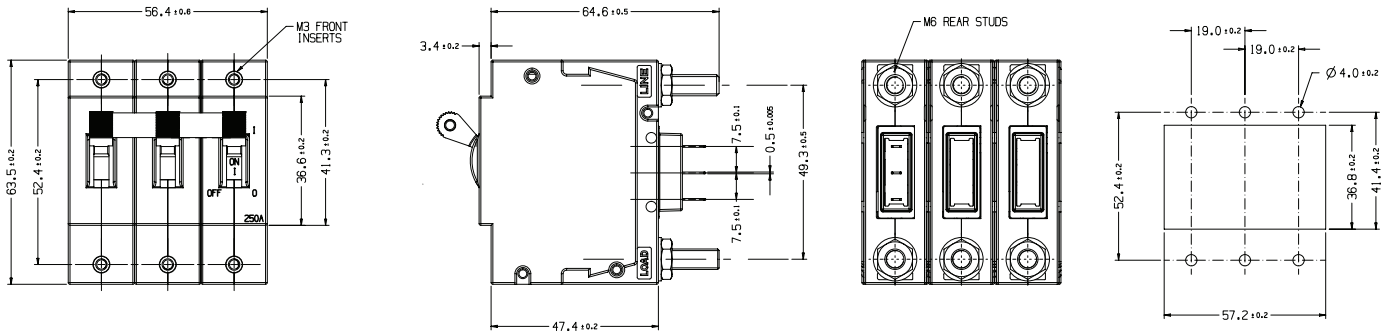
EMCOMP

Battery breaker 3 module width 250A

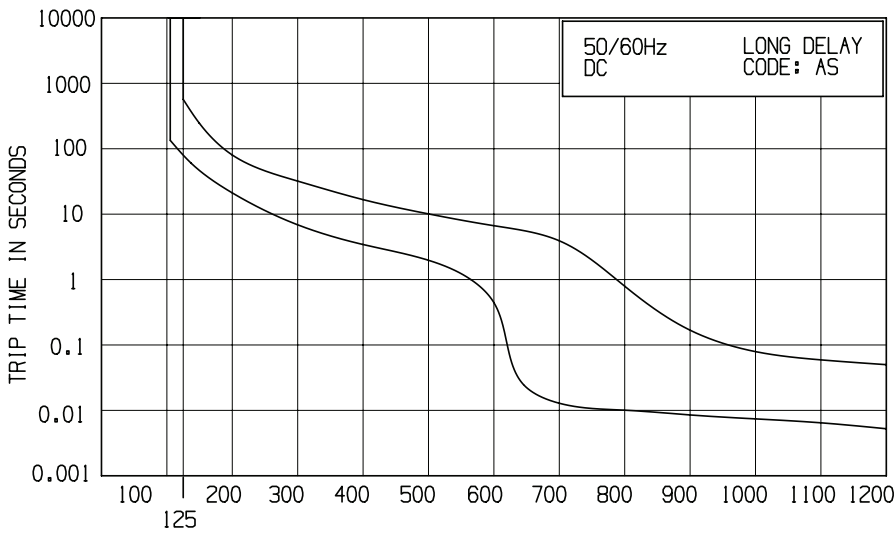


Item No	Voltage Range	Rated Current
DDABM0286	12-80VDC	250A

Dimensions



Long Time delay, AS



Percentage of rated current

PERCENTAGE OF RATED CURRENT	100%	125%	200%	400%	600%	800%	1000%	1200%
MINIMUM TRIP TIME IN SECONDS	NO TRIP	80	21	3.5	0.45	0.01	0.0075	0.005
MAXIMUM TRIP TIME IN SECONDS	NO TRIP	560	80	17	6.8	0.8	0.08	0.05



EMCOMP

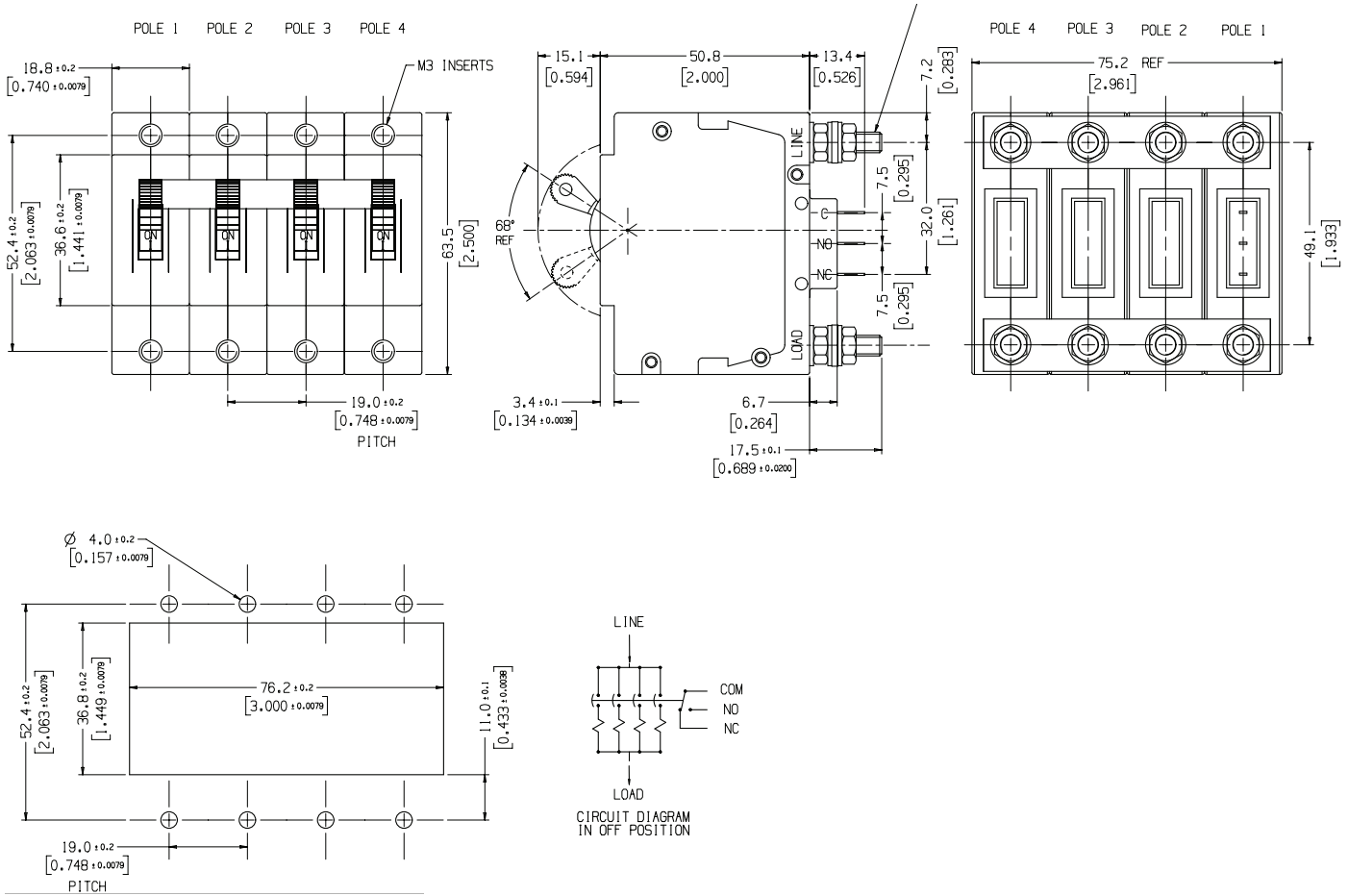
Battery breaker 4 module width 300A



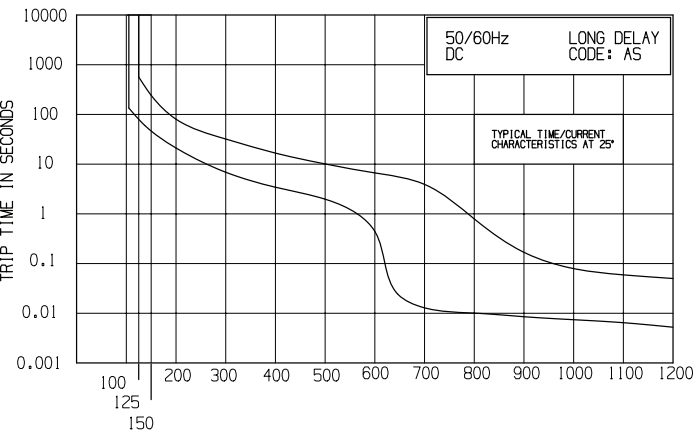
CBI DD-FRAME HIGH AMP STANDARD RANGE

Item No	Voltage Range	Rated Current
D2AKXA0194	12-80VDC	300A

Dimensions



Long Time delay, AS



Percentage of rated current

PERCENTAGE OF RATED CURRENT	100 %	125 %	200 %	400 %	600 %	800 %	1000 %	1200 %
MINIMUM TRIP TIME IN SECONDS	NO TRIP	80	21	3.5	0.45	0.010	0.0075	0.005
MAXIMUM TRIP TIME IN SECONDS	NO TRIP	560	80	17	6.8	0.8	0.08	0.05

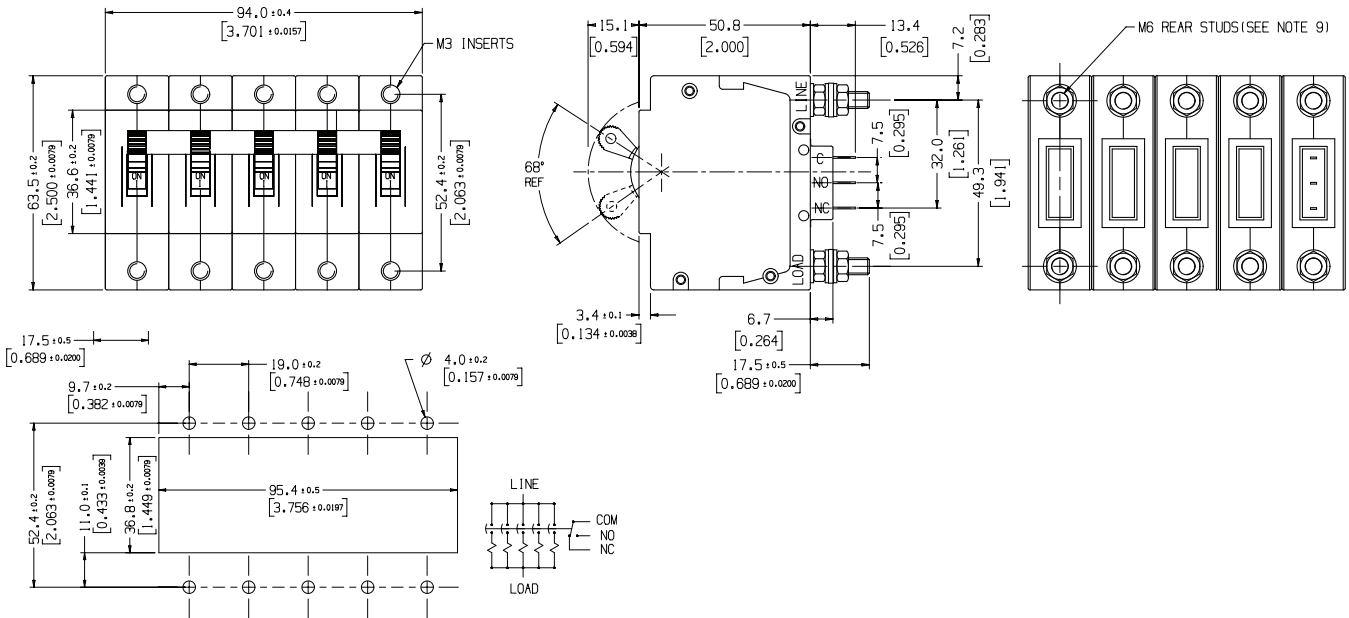


Battery breaker 5 module width 400A

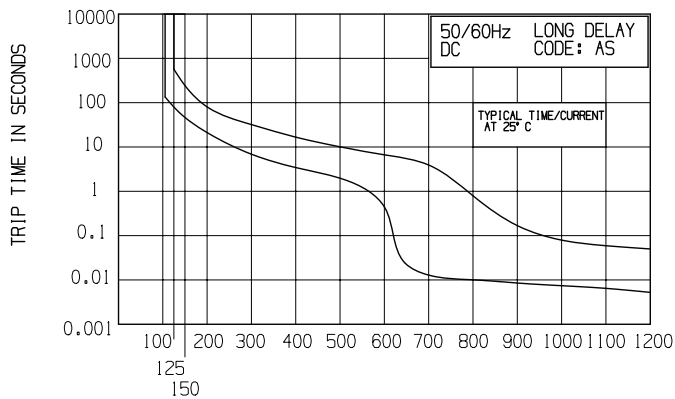
Item No	Voltage Range	Rated Current
D2AKXA0195	12-80VDC	400A



Dimensions



Long Time delay, AS



Percentage of rated current

PERCENTAGE OF RATED CURRENT	100 %	125 %	200 %	400 %	600 %	800 %	1000 %	1200 %
MINIMUM TRIP TIME IN SECONDS	NO TRIP	80	21	3.5	0.45	0.010	0.0075	0.005
MAXIMUM TRIP TIME IN SECONDS	NO TRIP	560	80	17	6.8	0.8	0.08	0.05



OUR APPLICATION AREAS

Contact us for more information



Emcomp International AB

info@emcomp.se - www.emcomp-international.com